



Make yourself adapting easier!

- ▶ Fast, time saving rigging and de-rigging of adapter cables
- ▶ Random connecting of adapter cable by intelligent recognition through the test system
- ▶ Random adapting also at adapter cables with several test system connectors
- ▶ Universal usage of existing test programs independent to the connector order and without extra time
- ▶ No extra programming device necessary for writing or reading the data memory
- ▶ Programming possible at any test point interface
- ▶ Universal usage of the adapter cable at different UUT variants

Adapter cable with integrated data memory

The following data are available on an EEPROM data memory in the test system connector of the adapter cable between wiring tester and UUT:

- ▶ Type of adapter cable
- ▶ Serial number of adapter cable
- ▶ Date of production
- ▶ Fields for adapter cables with several test system connectors, e.g. number of adapter cable connectors

The adapter cables are administrated in the adapter library of NT Control.

With reading the date from the data memory the test system identifies the respective adapter cable and allocates automatically the necessary test points.

Adapter cable – Intelligent adapter cable

An adapter cable is the connection device between test system interface and unit under test (UUT) specific connectors. Every pin in a connector of the UUT will be connected with a pin of the interface at the test system.

Intelligent adapter cables additionally contain a data memory ● in each connector to the test system.

The data memory occupies the last two pins in the test system connector of the adapter cable.

Test system interface



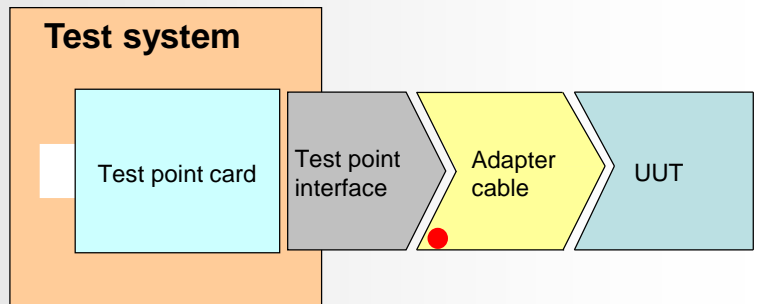
Example: installed data memory in a 156-way ITT Cannon DL1 connector at the adapter cable



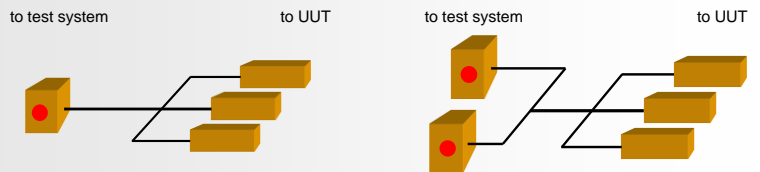
Sample with round cable



Sample with single strands in fabric tube



Number of data memories each adapter cable (examples):



Intelligent adapter cable with one test system connector: 1 data memory

Intelligent adapter cable with two test system connectors: 1 data memory

Adapter cables can be designed differently:

- ▶ Industrial manufactured round cable
- ▶ Application specific manufactured cable with single braids jacketed with a fabric tube

The option IAC is available for the following test systems:

- ▶ NT 600 TPI/FPI – NT 7xx TPI/FPI
- ▶ NT 830 – NT 850

© Copyright 2014, adaptronic Prüftechnik GmbH. All rights reserved. All mentioned features and functions are subjects to change. This document is only for information.

Images contain options. adaptronic is a word-brand of adaptronic Prüftechnik GmbH. Mentioned brands and trademarks are property of the respective brand owners.