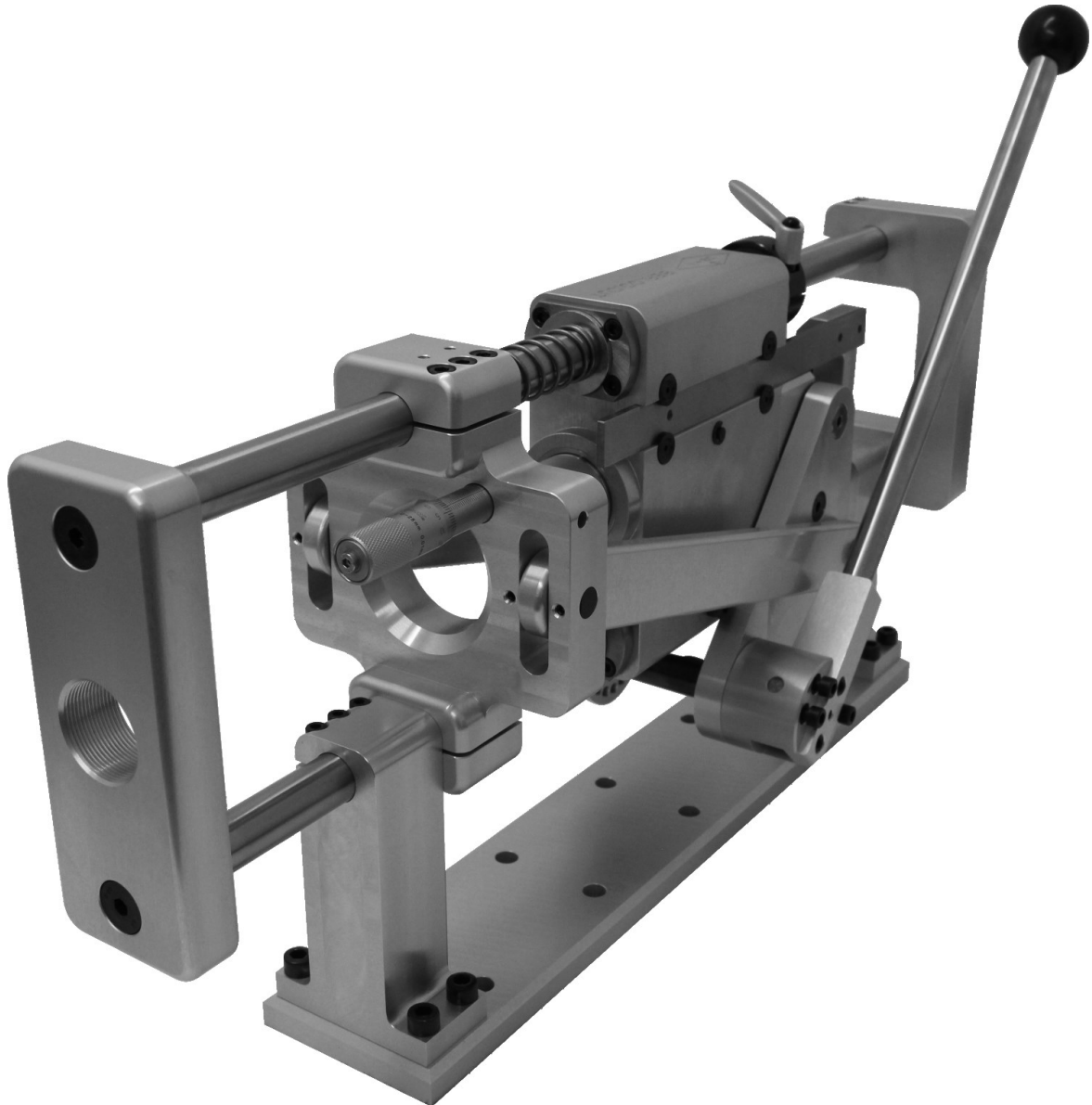

COAX SHIELDING CUTTING DEVICE



BERI.CO.CUT

The BERI.CO.CUT is a highly accurate device for cutting shieldings and braidings as the type found in coax cables with multiple layers. In particular high voltage cables used in the new generation of electric vehicles can be processed reliably and cost-effectively.

The working principle of the BERI.CO.CUT prevents damaging the layers lying under the braiding. (e.g. dielectric layers, other shieldings, conductors, etc.). The use of tools matched to the relevant cables permits cutting within seconds.

The BERI.CO.CUT is designed to process cables with diameters ranging from 4,0 - 23,0 mm (depending on cable). Please visit our website www.rittmeyer-beri.de to see a [video of the BERI.CO.CUT](#).



FEINTECHNIK Telefon: +49 . (0)251.96115-0
R.RITTMAYER GMBH Telefax: +49 . (0)251.624 525
Höltengeweg 103 E-mail: info@rittmeyer-beri.de
48 155 Münster Web: www.rittmeyer-beri.de
Germany

ADVANTAGES AND NEW FEATURES

FUNCTIONS

- BERI.CO.CUT cuts shieldings and braidings reliably. It is designed for coaxial cables in particular
- The operator has total control over the process, such as feeding the wire, putting back the braiding and the cutting process itself (optical inspection)
- The device is designed to cover all known applications
- The working principle of the BERI.CO.CUT ensures that layers lying under the braiding are not damaged
- Even braidings of non-round wires (e.g. multistrand wires) can be processed safely
- Braidings are trimmed neatly and accurately (clean cross section)
- The BERI.CO.CUT is robust and suitable for an industrial environment



HANDLING

- Cable diameters from 4,0 – 23,0 mm can be processed
- High processing speed, comparable to machine processing
- The braiding is put back manually, directly in the working area
- The working area is accessible by hand. Any disturbance can be seen and eliminated
- Cable stop can be adjusted variably when cable tip is used as reference (standard version)
- It is possible to use the outer isolation as reference for the cable stop (optional)
- The working place is independent from air pressure, electricity and other resources
- Because of its low weight (approx. 40 lbs) BERI.CO.CUT can be transferred to different places easily
- Nearly maintenance-free (except for tools)
- Long operating life
- The device can easily be upgraded with further functions, because of its modular design

COSTS

- Very low acquisition costs compared to automatic machines
- Purely mechanical process. No motors, no cylinders, etc.
- Low maintenance costs
- No energy costs
- No separate blades necessary

SAFETY

- A lot of risks are eliminated, because there are no motor driven parts
- Every single work step is carried out manually and thereby controllable
- The working range is well visible
- No noise pollution emitted by motors, etc.
- High robustness and low susceptibility

ERGONOMICS

- The device can be pivoted to both sides, thus an optimal working position can be chosen
- The hand lever can be mounted to both sides. The BERI.CO.CUT can be used by left- and right-handers
- The angle of the hand lever is adjustable

* A [video](http://www.rittmeyer-beri.de) and more information can be found on our homepage www.rittmeyer-beri.de