

TROMPLAT 1000

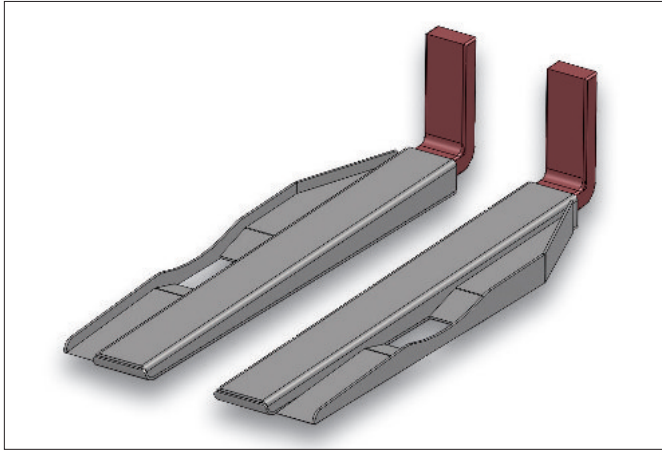


Fig. 1: TROMPLAT 1000

TROMPLAT 2500

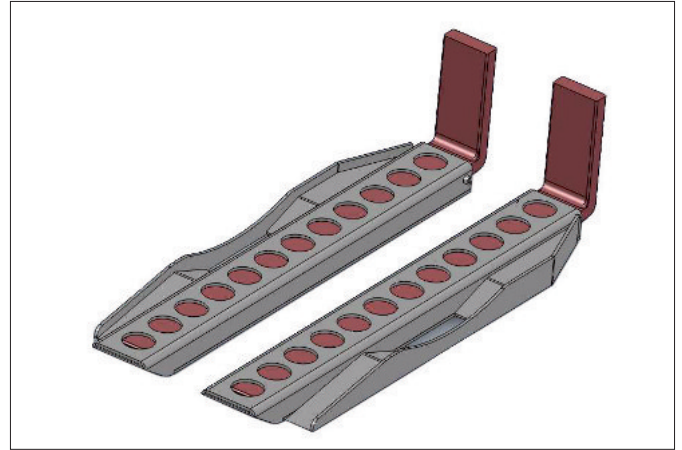


Fig. 2: TROMPLAT 2500

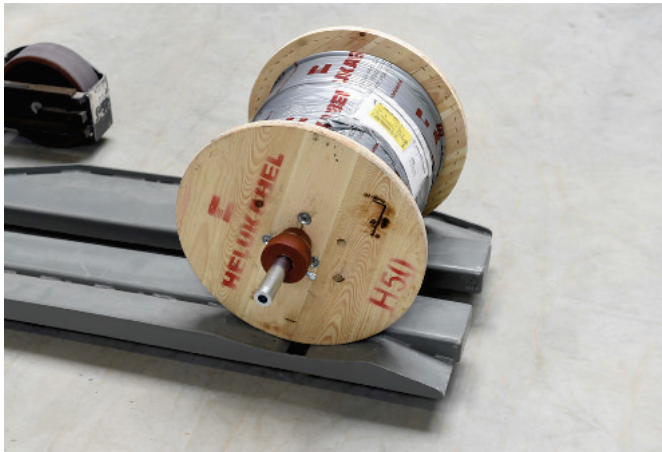


Fig. 3: TROMPLAT 1000 application example



Fig. 4: TROMPLAT 1000 application example

This loading device for cable drums allows a time-saving and safety storing and removal of cable drums, in and out of a dynamic cable drum storage.

Mode of operation:

This transport and loading accessory consists of two plat forms (extensions) which are put on the forks and fixed by clamping levers. By changing these accessories from the right to the left and vice versa they can either be used for small drums as well as for bigger ones.

The drum is simply rolled away on the floor. To avoid that the drum falls out, it must rest in centering position

Note: Perfect for forklifts with hydraulically adjustable forks

	TROMPLAT 1000 Article-No. 87000310	TROMPLAT 2500 Article-No. 87000311
Length	max. 1250 mm	max. 1600 mm
Load capacity	max. 1000 kg	max. 2500 kg
Weight	60 kg / pair	150 kg / pair
Colour	RAL 7005, mouse grey	RAL 7005, mouse grey